

T7 BDM-BDL

Downlighter & Display Range / Bravo Downlighter (Medium)
Bravo Downlighter (Large)



Alfa Downlighter Surface Fitting

This family of circular compact fluorescent downlighters are available with various interchangeable attachments, offering a spectrum of effects suitable for a variety of applications. Available in two sizes.

Specification

- Fabricated steel body
- Aluminium faceted reflector
- Plug and socket system
- Powder coated finish
- Integrated gear tray cover
- Spun aluminium housing
- Lamps not included

Application

- Corridors
- Communal Area
- Offices
- Shops
- Toilets
- Reception
- Shopping Centre
- Call Centre
- Circulation Area
- Conference Room



Product Codes

Small Body

T7BDM118CZ	1 x 18W PLC
T7BDM218CZ	2 x 18W PLC
T7BDM126CZ	1 x 26W PLC
T7BDM226CZ	2 x 26W PLC
T7BDM132CZ	1 x 32W PLT
T7BDM142CZ	1 x 42W PLT

Accessories

T7AMGB	Gold Bezel
T7AMCB	Chrome Bezel
T7AMSB	Brushed Steel Bezel

See page 190, 188, 186, 184 & 182 for all other accessories to fit this fitting

Large Body

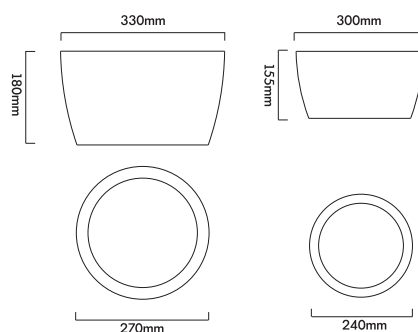
T7BDL232CZ	2 x 32W PLT
T7BDL242CZ	2 x 42W PLT

Accessories

T7ALGB	Gold Bezel
T7ALCB	Chrome Bezel
T7ALS B	Brushed Steel Bezel

See page 190, 188, 186, 184 & 182 for all other accessories to fit this fitting

Dimensions



See page 190 for these accessories to fit the above fitting

See page 188 for these accessories to fit the above fitting

