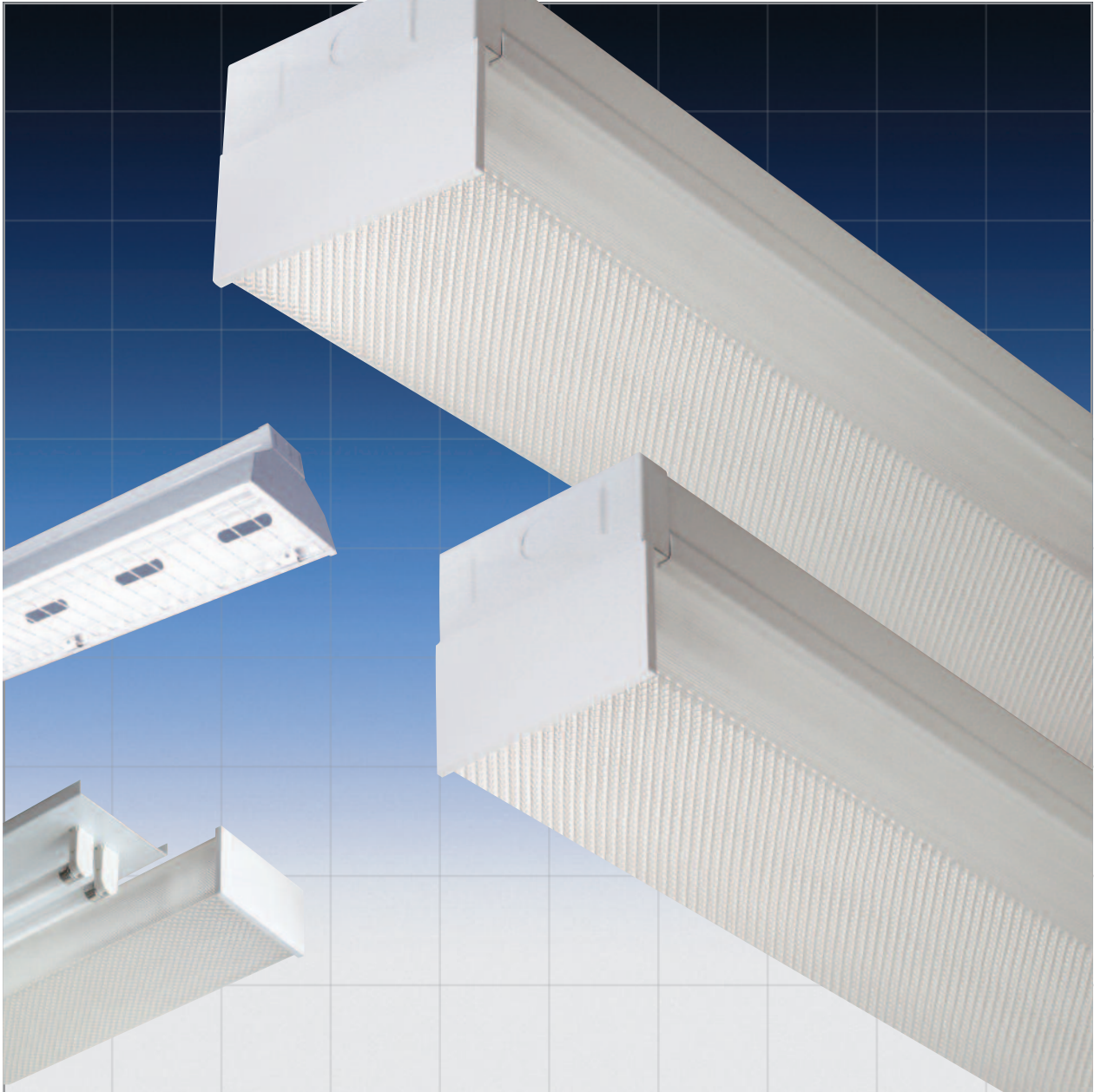


FT400 Series

www.fluorel.co.uk/products/surface.htm

**FT400
Series**

10/12



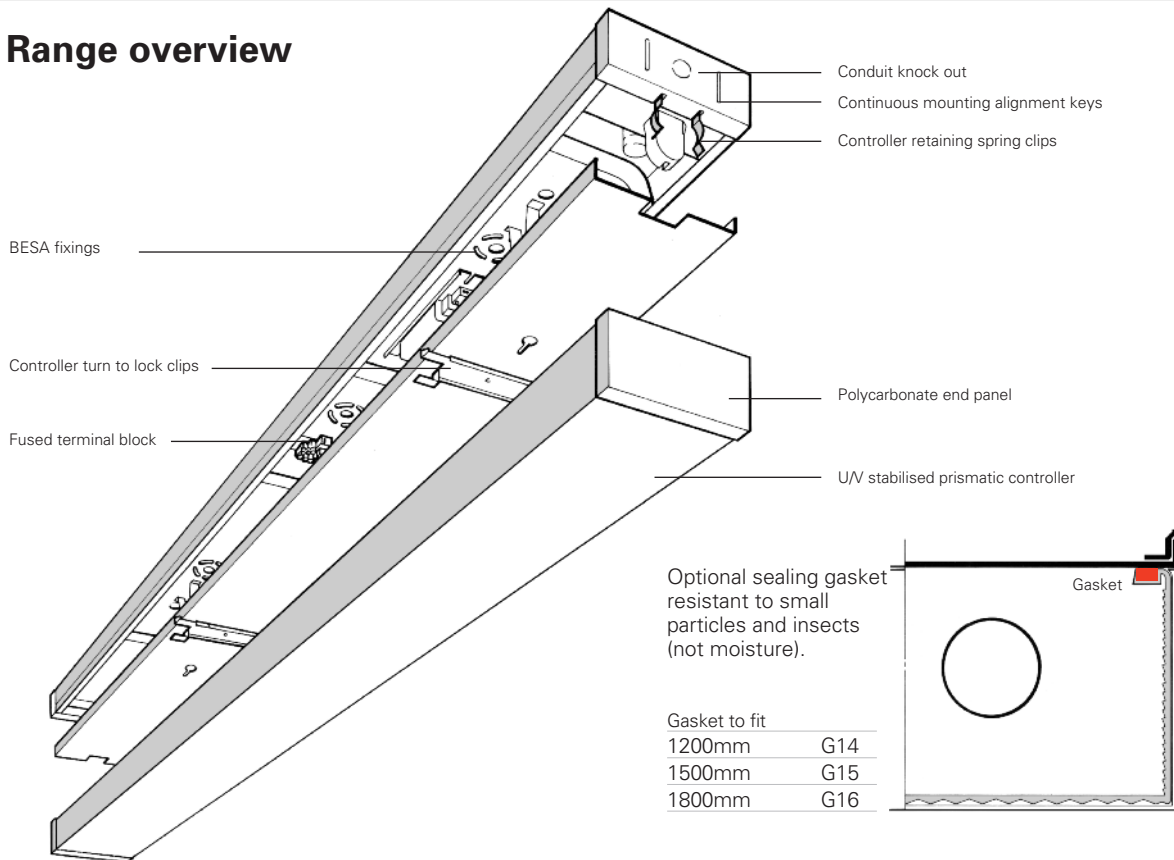
- Suited for Education, Health Care, Civic and Commercial applications
- Robust steel body construction
- Secure impact resistant prismatic diffusers
- Reflector and wire guard option
- T8 and energy efficient T5 lamp configurations
- Individual or continuous mounting with through wiring
- Dimming options available
- Integral emergency options
- All supplied c/w lamps

FluorelLighting
Lighting for a brighter future

**Fluorel Lighting is a leading supplier
of innovative energy efficient lighting**

The FT400 series of surface luminaires is considered by many engineers and designers to be THE 'Education luminaire' and it is a standard fitment in many education facilities due to its robust construction, excellent performance and flexibility. The same attributes mean that it is equally suited to libraries, day centres, hospitals and health care, civic and many other commercial applications.

Range overview



The FT400 single and twin lamp batten-type luminaires are strongly constructed from zinc coated steel sheet. Finished in durable gloss white epoxy polyester as standard, other colours may be supplied to special order.

A selection of controllers and reflector attachments are available. If required these controllers can be fitted with an insect or small particle resistant gasket to order.

These controllers are very easily fixed into position by pressing into the spring clips at each end of the batten and secured with the 'turn-to-lock' clips on the reflector plate.

Continuous mounting

The FT400 range can be mounted continuously without gaps between luminaires. A conduit knock out is provided at each end to facilitate through wiring, as are alignment keys to ensure straight runs. As the diffusers mount securely directly onto the bodies from below there is no need for unsightly gaps between luminaires to allow access to end cap fixing screws or spring out end caps.

Lamps

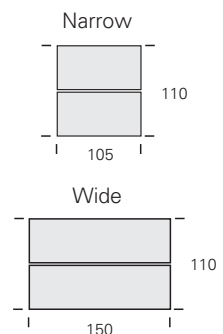
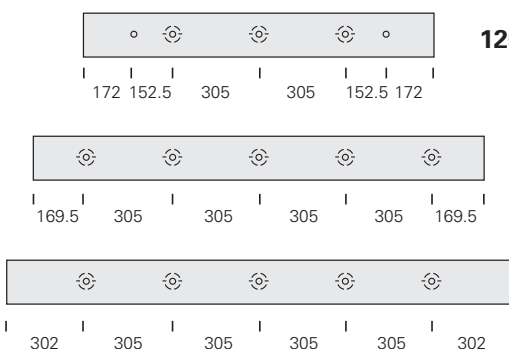
The FT400 range is available in both single and twin lamp for T8 lamps up to 1800mm nominal length or for T5 lamps up to 1500mm nominal length.

Part numbers

Both the diffusers and the luminaire bodies are available separately and their individual part numbers make up the complete part numbers as shown.

Eg. 1200mm nominal narrow diffuser is **PA41** while the matching luminaire body for single 28w T5 lamp is **4N128L** –

Thus complete diffuser and luminaire number is **PA414N128L**



This robust and versatile surface luminaire range is ideal for education, health care, civic and commercial applications. Two body widths, firmly fixed diffusers or reflectors and the ability to mount continuously offer many lighting options. Available for T5 or T8 lamps with dimmable and integral emergency conversions if required.

PA Controllers



Single Lamp Narrow	T8 lamps	T5 lamps
	1200mm	PA414N1HFL – 1x36w
1500mm	PA515N1HFL – 1x58w	PA515N135L – 1x35w PA515N149L – 1x49w PA515N180L – 1x80w
1800mm	PA616N1HFL – 1x70w	
LOR Up.19 Down.58 Total.77 SHR MAX 1.90 SHR Trans 2.19		

Twin Lamp Narrow	T8 lamps	T5 lamps
	1200mm	Not available
1500mm	Not available	PA515N235L – 2x35w PA515N249L – 2x49w PA515N280L – 2x80w
1800mm	Not available	
Photometric Data: Please contact Fluorel Lighting		

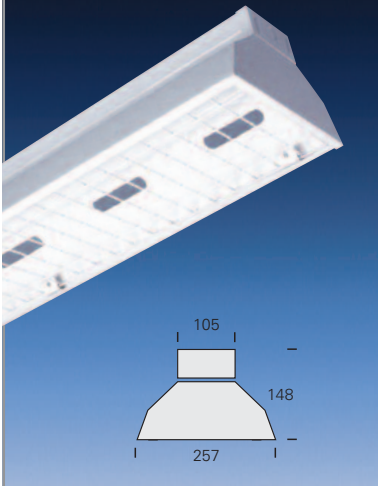
Single Lamp Wide	T8 lamps	T5 lamps
	1200mm	PA424W1HFL – 1x36w
1500mm	PA525W1HFL – 1x58w	PA525W135L – 1x35w PA525W149L – 1x49w PA525W180L – 1x80w
1800mm	PA626W1HFL – 1x70w	
LOR Up.17 Down.60 Total.77 SHR MAX 1.87 SHR Trans 2.13		

Twin Lamp Wide	T8 lamps	T5 lamps
	1200mm	PA424W2HFL – 2x36w
1500mm	PA525W2HFL – 2x58w	PA525W235L – 2x35w PA525W249L – 2x49w PA525W280L – 2x80w
1800mm	PA626W2HFL – 2x70w	
LOR Up.14 Down.53 Total.67 SHR MAX 1.85 SHR Trans 2.09		

Dimming and Emergency Lighting options

Digital dimming versions available – add suffix .../DDL to part number. Integral emergency conversions are available for all sizes. Add suffix /EMG for 3hr duration and suffix /STEMG for self test option.

Reflector/Guard



Single Reflector/Wire Guard	T8 lamps	T5 lamps
	1200mm	GR424N1HFL – 1x36w
1500mm	GR525N1HFL – 1x58w	GR525N135L – 1x35w GR525N149L – 1x49w GR525N180L – 1x80w
1800mm	GR626N1HFL – 1x70w	

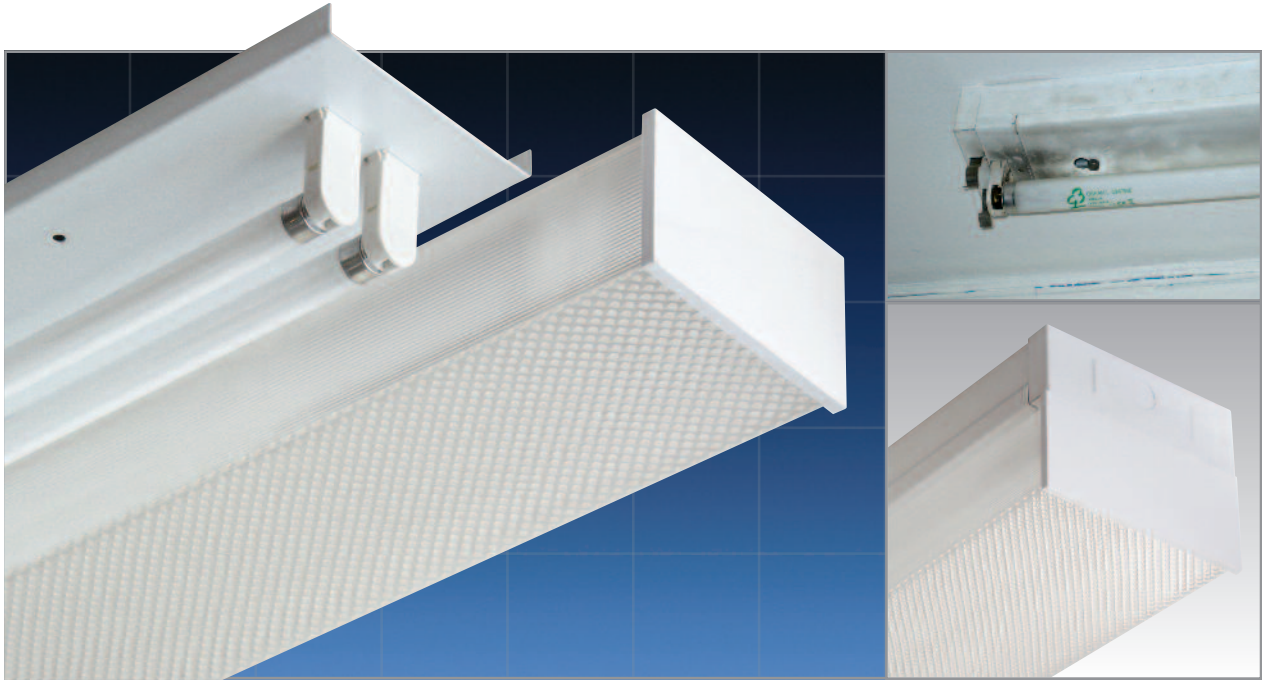
Twin Reflector/Wire Guard	T8 lamps	T5 lamps
	1200mm	GR424N2HFL – 2x36w
1500mm	GR525N2HFL – 2x58w	GR525N235L – 2x35w GR525N249L – 2x49w GR525N280L – 2x80w
1800mm	GR626N2HFL – 2x70w	
Photometric Data: Please contact Fluorel Lighting		

Dimming and Emergency Lighting options

Digital dimming versions available – add suffix .../DDL to part number. Integral emergency conversions are available for all sizes. Add suffix /EMG for 3hr duration and suffix /STEMG for self test option.

FT400 Series Retro-Fit

www.fluorel.co.uk/products/surface.htm



The FT400 Retro-fit makes it simple and cost effective to upgrade school lighting, save energy and reduce the carbon footprint.

Many schools have Fluorel FT400 surface light fittings installed. Some of these installations have been operating for over 30 years.

However, we recognise that over this time components wear out, diffuser covers may yellow, damage may have been sustained and the fittings may well be in need of replacement or repair.

Technology has brought many advances over the last few years, most notably the introduction of T5 fluorescent lamps and electronic control gear which offer lower energy consumption, reduced running costs and improved performance.

If faced by a costly light fitting replacement programme Fluorel Lighting offers the facility to upgrade lighting and save energy without some of the usual associated costs.

Replace flickering lamps, buzzing noises and endless flashes before the light finally comes on with energy efficient lamps, instant starting, silent operation and new bright diffuser covers.

Fluorel Lighting offer new fully wired and tested gear trays complete with T5 lamps and electronic control gear and a new diffuser cover to fit on the existing light fitting body fixed to your ceiling. This avoids damage to the ceiling, no disruption to the school wiring and the kits can usually be easily fitted and connected by

qualified personnel in shorter time than a complete replacement.

We can include emergency lighting and dimmable controls if required.

Benefits:

- Energy saving
- Lower running costs
- Improved efficiency
- Flicker free
- Instant starting
- Silent running
- New diffuser covers
- Lower installation costs
- No 'making good' or redecorating costs for the ceiling

Fluorel Lighting Limited Designers and manufacturers of luminaires

Fluorel Lighting Ltd, Unit 25 Eldon way,
Hockley, Essex, SS5 4PS
Tel +44(0)8458 643 643 Fax +44(0)20 8506 1792
info@fluorel.co.uk www.fluorel.co.uk


FluorelLighting
Lighting for a brighter future

Fluorel Lighting Limited has a policy of continuous development and in the interest of clients, reserves the right to change specifications or design and to supply products which may differ from those described and illustrated without notice and without liability.

T5 WattMiser[™]